

Warranty: 3 years

(full terms and conditions www.boilermag.com)

Install: 360° adjustment

Weight: (ex valves) 1.24kg

Bowl and lid

Material: PA 6,6 30% GFRP

Fluid capacity: 500ml

Inlet diameter: 22mm at valve

Outlet diameter: 22mm at valve

Thread: Pressure thread

Working pressure: 3 bar

Magnet

Housing: Stainless steel

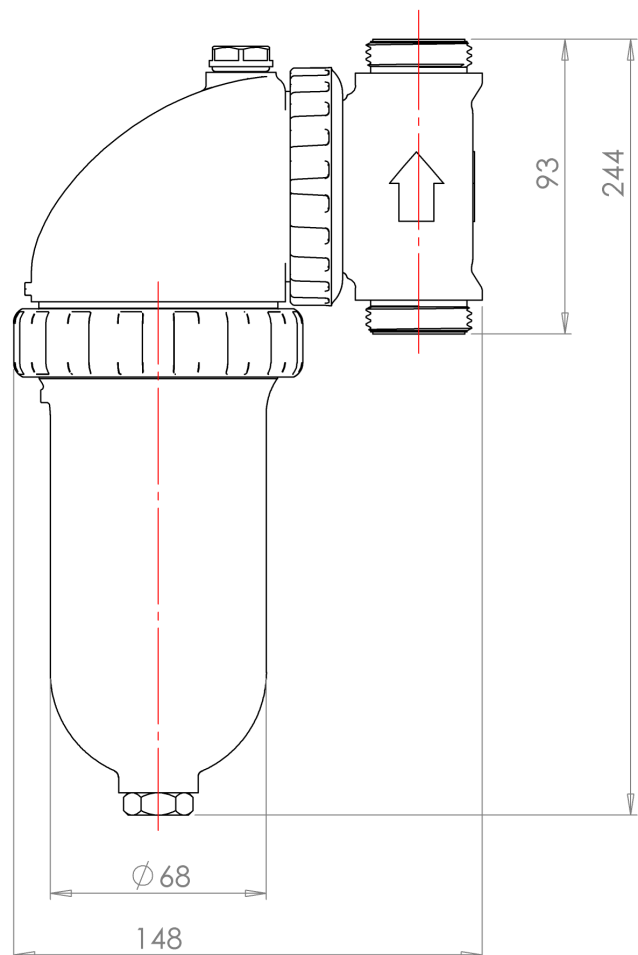
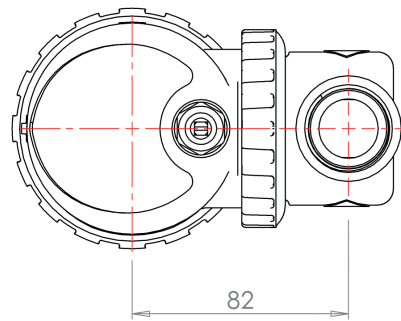
Magnet size: 25.4mm diameter x 120mm long

Magnet volume: 60.8cm

Max. flow rate: 60 litres per minute

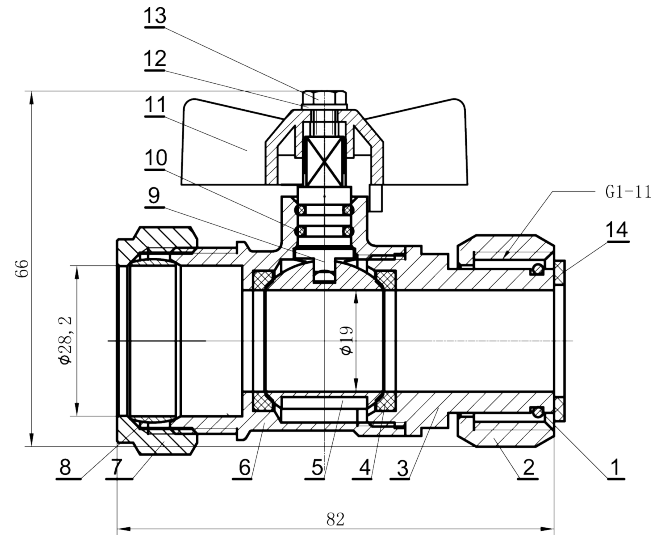
Contamination capacity: 400g

Magnet: Rare earth neodymium



Isolation valves

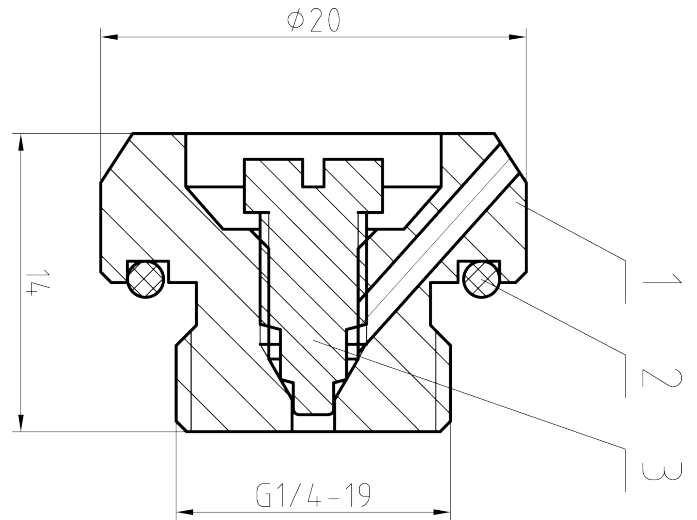
1. Snap spring SS302
2. Nut Brass
3. Body end Brass
4. Seal PTFE
5. Ball Brass
6. Body Brass
7. 28mm nut Brass
8. 28mm O-ring Brass
9. Stem Brass
10. O-ring NBR
11. Handle Aluminium
12. Washer Steel
13. Screw Steel
14. Seal NBR



22mm and 28mm available

Vent

1. Body Brass
2. O-ring NBR
3. Valve Brass



Drain plug

- Body: Brass
O-ring: NBR

For details of your local stockist or for more information

visit www.boilermag.com

or contact +44 (0)114 225 0624

service@boilermag.com