

Specifications	Height(B)	Width	Type 21 Output(W)	Type 22 Output(W)
RSB**400600	400	600	726	NA
RSB**400800	400	800	968	NA
RSB**400100	400	1000	1210	1567
RSB**400120	400	1200	1453	1831
RSB**400140	400	1400	NA	2137
RSB**400160	400	1600	1937	2442
RSB**400180	400	1800	NA	2748
RSB**400200	400	2000	2421	3053
RSB**600600	600	600	1007	1283
RSB**600800	600	800	1344	1709
RSB**600100	600	1000	1679	2137
RSB**600120	600	1200	2014	2565
RSB**600140	600	1400	2351	2992
RSB**600160	600	1600	2686	3420
RSB**600180	600	1800	3023	3847
RSB**600200	600	2000	3358	4275
RSB**600240	600	2400	N/A	5130
RSB**180400	1800	400	N/A	1979
RSB**180600	1800	600	N/A	2969
RSB**180800	1800	800	N/A	3959
RSB**200400	2000	400	N/A	2129
RSB**200600	2000	600	N/A	3193
RSB**200800	2000	800	N/A	4257

Outputs calculated with 85°C flow, 75°C return, room temp 20°C

#### Warranty

If any fault arising from the manufacturing processes is found in a new radiator and if after consultation with Waterware, the product is returned, within **10 YEARS** for inspection and or testing, Waterware will repair or exchange the product at its sole discretion. Any costs associated with the removal, replacement and return of any faulty product are not accepted without prior arrangement with Waterware. Under no circumstances will such costs be accepted by Waterware for products purchased and installed in remote, rural and or locations greater than 50km's from the point of purchase. Also included is a 25 year Functional Warranty, covers structural and functional failure of steel components incl. welding but excludes the paint finish and is in addition to the existing 10 year Conditional Guarantee

Warranty does not apply where faults arise from;

- normal wear and tear to surface finishes
- normal maintenance, cleaning or tuning requirements or faults that are a result of minimum maintenance requirements not being followed.
- foreign matter in the water supplies.
- water supplies that do not meet normal expected municipal water quality standards.
- installation in a manner not in accordance with the manufacturers recommendations or relevant NZ and or Australian Standards and local plumbing codes including G12.
- environment operating conditions that are outside the minimum and or maximum recommendations

Evidence must be produced which confirms the relevant product was purchased from a known customer of Waterware to validate any claim.

Obligations accepted by Waterware are...

In addition to all other rights and remedies had by the Purchaser in law in respect of the product and does not limit the right the Consumer may have under the Consumers Guarantee Act 1993.

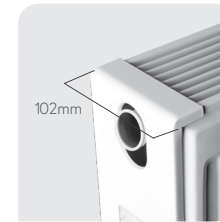
Subject to the exceptions and conditions previously listed, all expressed or implied conditions, statements warranties as to the quality of fitness on any purpose of a product or otherwise are hereby expressly excluded to the fullest extent permitted by law except under conditions and warrants which cannot be legally excluded by law and which are intended in the contract for the supply of the valve by the Trade Practises and any other Act of Law.

# BRUGMAN

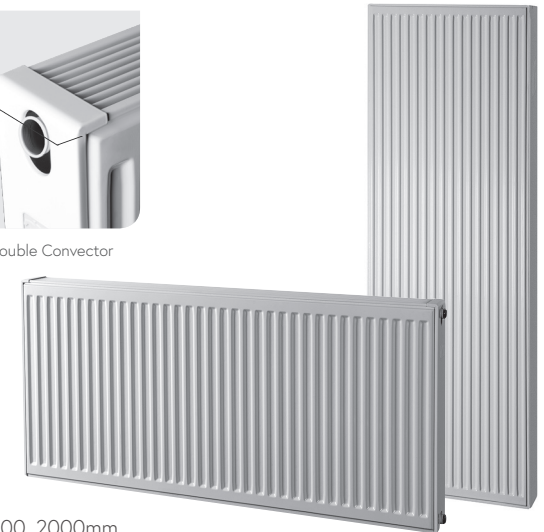
## UNI6 & Centric Verti Steel Panel Radiator Installation Manual



Type 21 Single Convector



Type 22 Double Convector



- Types:** 21, 22  
**Heights:** 400, 600, 1800, 2000mm  
**6 Port Connections:** 2 x ¾" external thread euroconus bottom connections  
 4 x ½" internal thread side connections  
**Brackets:** J-bracket  
**Colour:** RAL 9016  
**Max. Operating Pressure:** 10 bar (tested at 13 bar)  
**Max. Operating Temp:** 120 °C

#### Radiator Valve Options

Valve kits are available separately with 1/2" copper or 16x2mm multilayer pipe specific connectors.



#### Caleffi Multi-layer

Kit contains polished chrome radiator and lock-shield valves, multi-layer pipe connectors and thermostatic head.



#### Caleffi H-pattern bottom entry

Caleffi high style polished chrome H-pattern bottom entry angle valve kit containing valve, 16x2mm multi-layer pipe connectors.

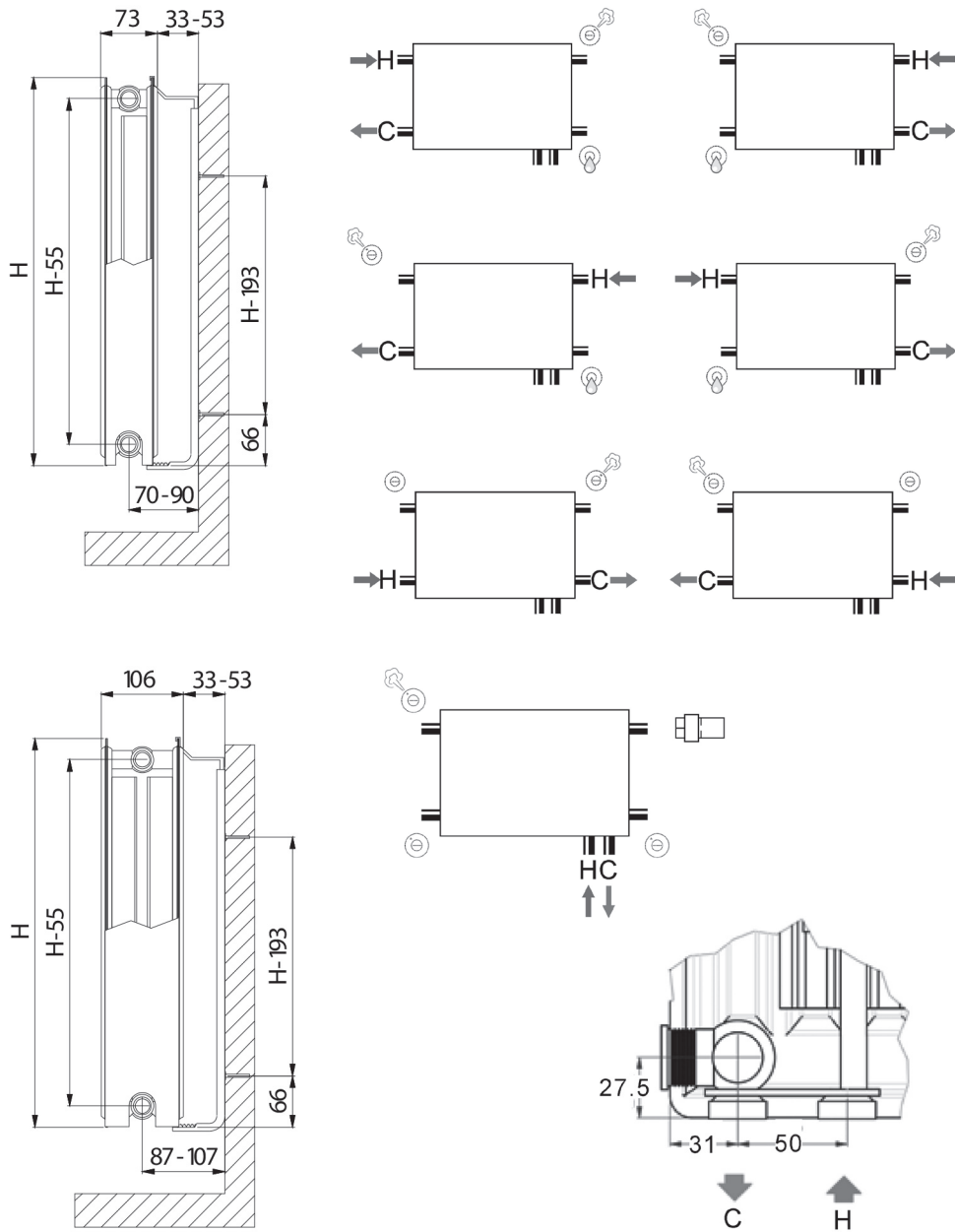


#### Project bottom entry

Under mounted chrome monoblock valve and thermostatic head.

### 400mm / 600mm UNI6 Horizontal Models

The UNI6 horizontal model has a bottom connection and four side connections. By using the J-bracket it is possible to mirror reverse the radiator, so that the thermostat knob can be mounted on the left or right.



### 1800mm / 2000mm Centric Verti Vertical Models

The Centric Verti vertical model has a middle connection (underneath) and two bottom connections (side). The two top connections are for installing the air vent.

